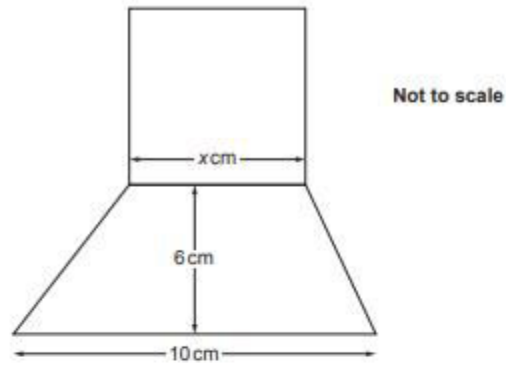


AREA OF COMPOUND SHAPES

OCR GCSE – Monday 12 November 2018 – Paper 6 (Calculator) Higher Tier

1.

12 In the diagram, the square and the trapezium share a common side of length x cm.



The area of the square is equal to the area of the trapezium.

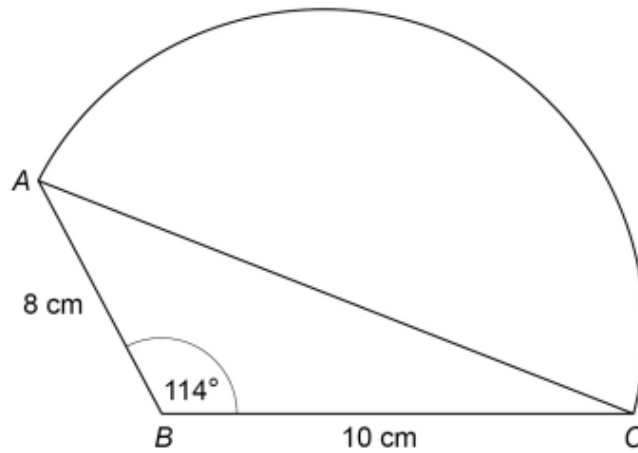
Work out the value of x .

$x =$ [6]

2.

29 A shape is made by joining triangle ABC to a semicircle with diameter AC .

Not drawn accurately

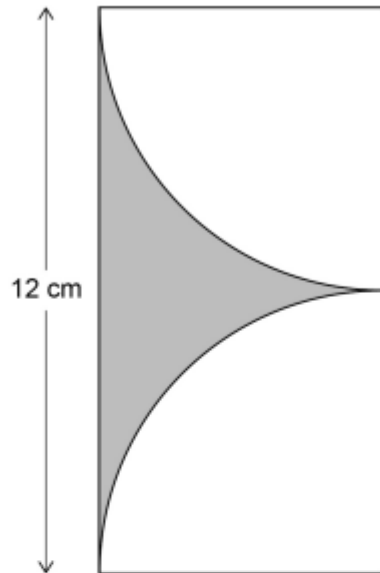


Work out the **total** area of the shape.

[5 marks]

3.

8 Two identical quarter circles are cut from a rectangle as shown.



Not drawn accurately

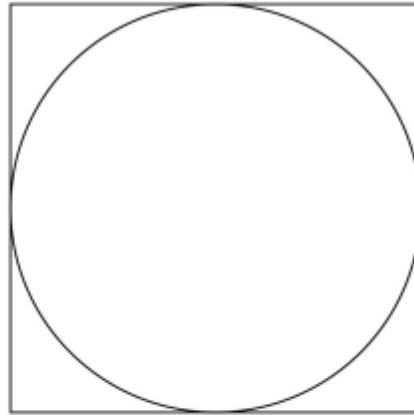
Work out the shaded area.

[4 marks]

Answer _____ cm^2

4.

12 Here is a circle touching a square.



Not drawn accurately

The area of the square is 64 cm^2

Work out the area of the circle.

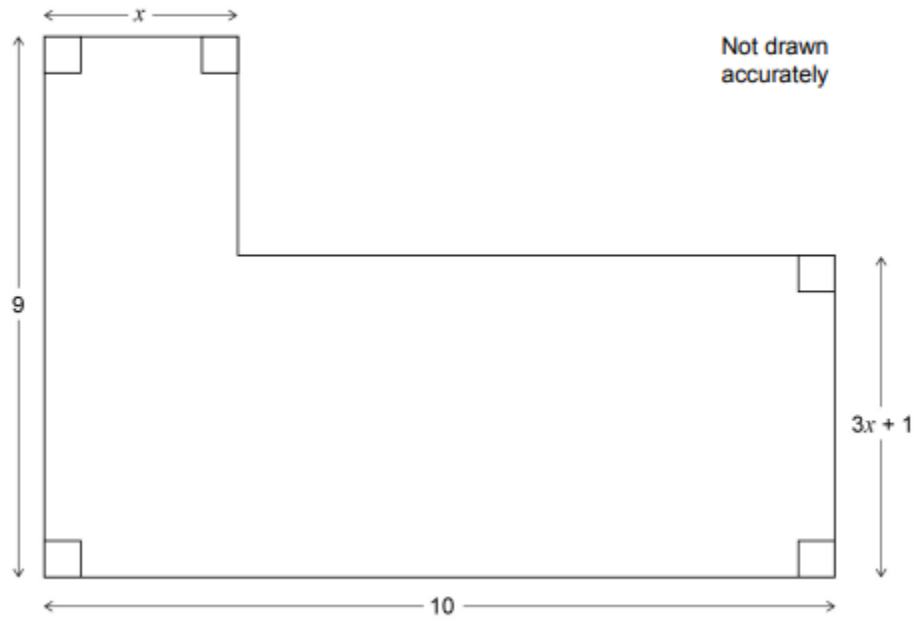
Give your answer in terms of π .

[3 marks]

Answer _____ cm^2

5.

- 26 Here is an L-shape.
All dimensions are in centimetres.

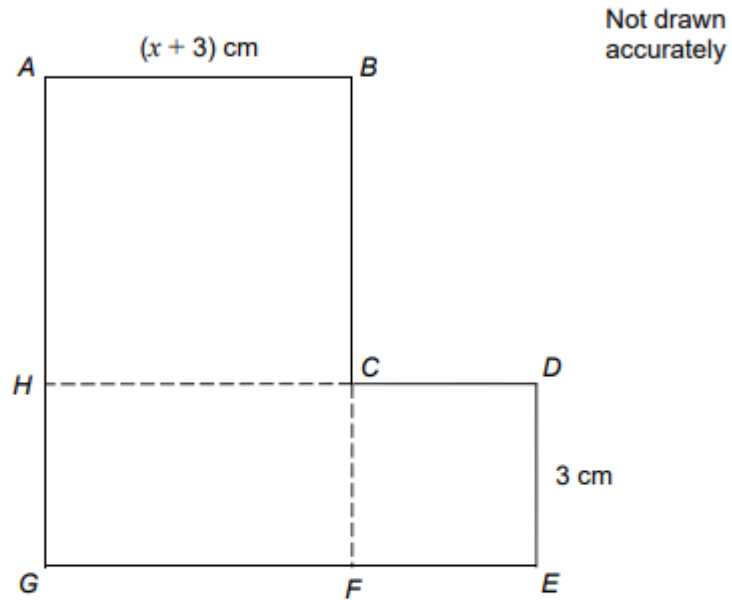


AQA GCSE – Sample Paper 1 (Non - Calculator) Higher Tier

6.

- 12 *ABCH* is a square.
HCFG is a rectangle.
CDEF is a square.

They are joined to make an L-shape.



Show that the total area of the L-shape, in cm^2 , is $x^2 + 9x + 27$

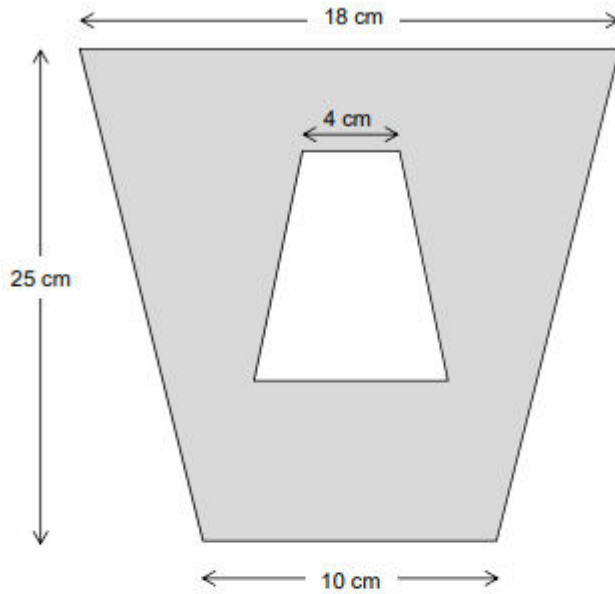
[4 marks]

AQA GCSE – Sample Paper 2 (Calculator) Higher Tier

7.

14 (a) A pattern is made from two **similar** trapeziums.

Not drawn accurately

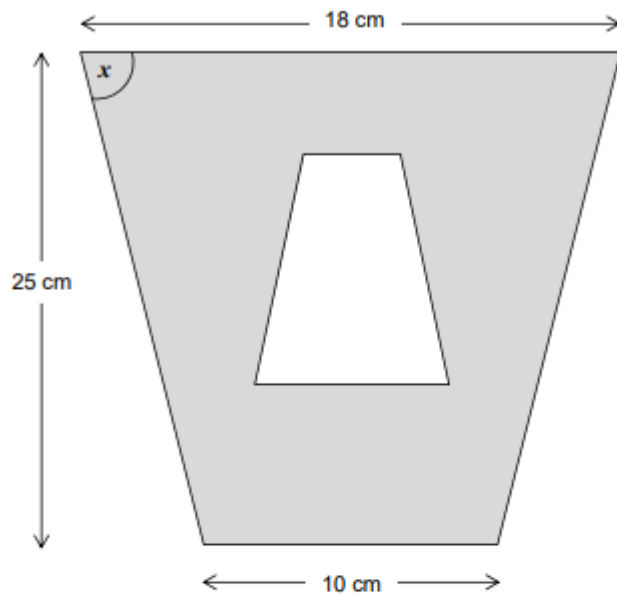


Show that the shaded area is 294 cm^2

[4 marks]

14 (b) The pattern has one line of symmetry.

Not drawn accurately



Work out the size of angle x .

[3 marks]

Answer _____ degrees